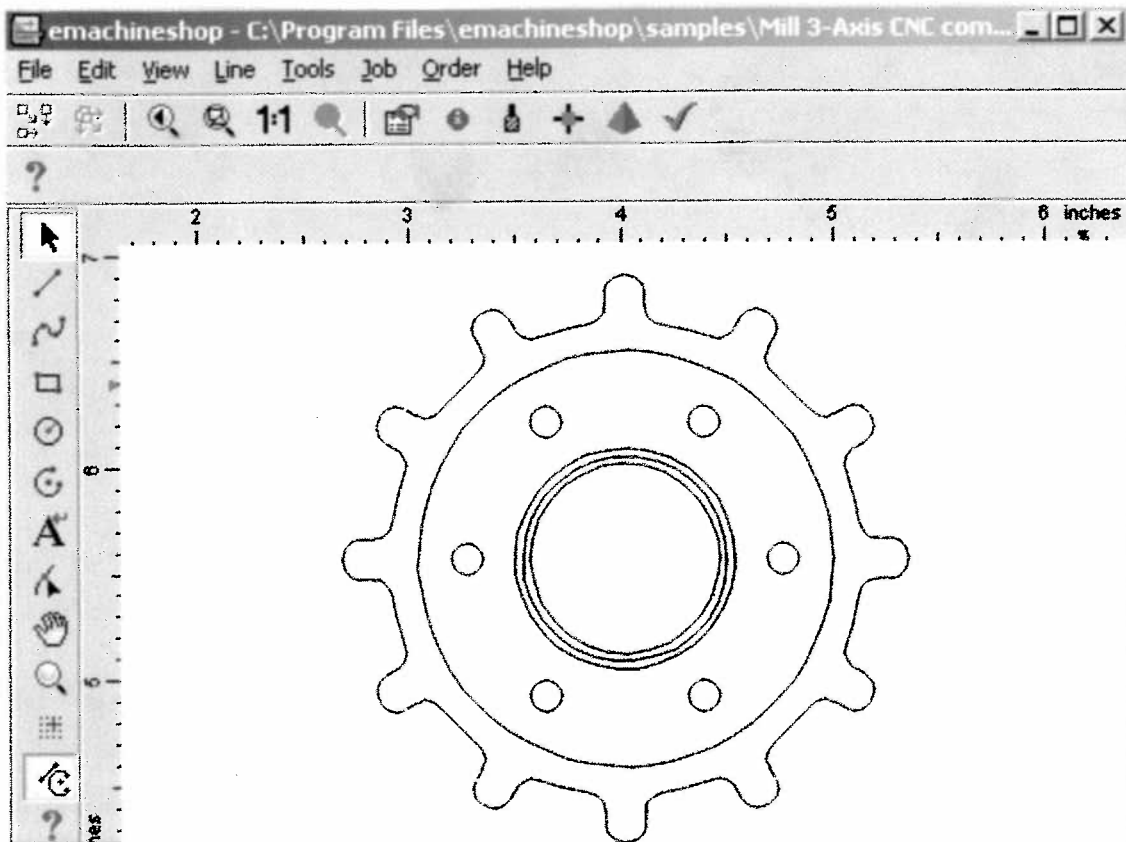


# Computer-Aided Design (CAD)



File Edit Zoom View Options Documents Help

